

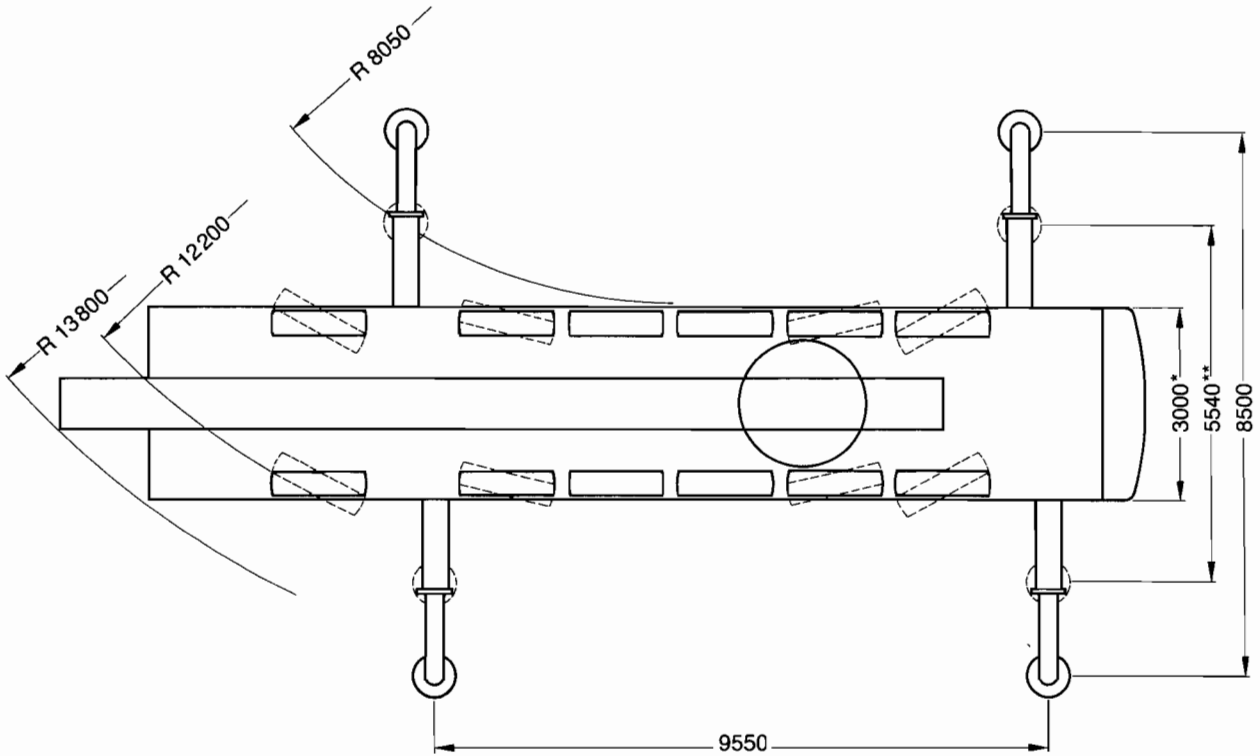
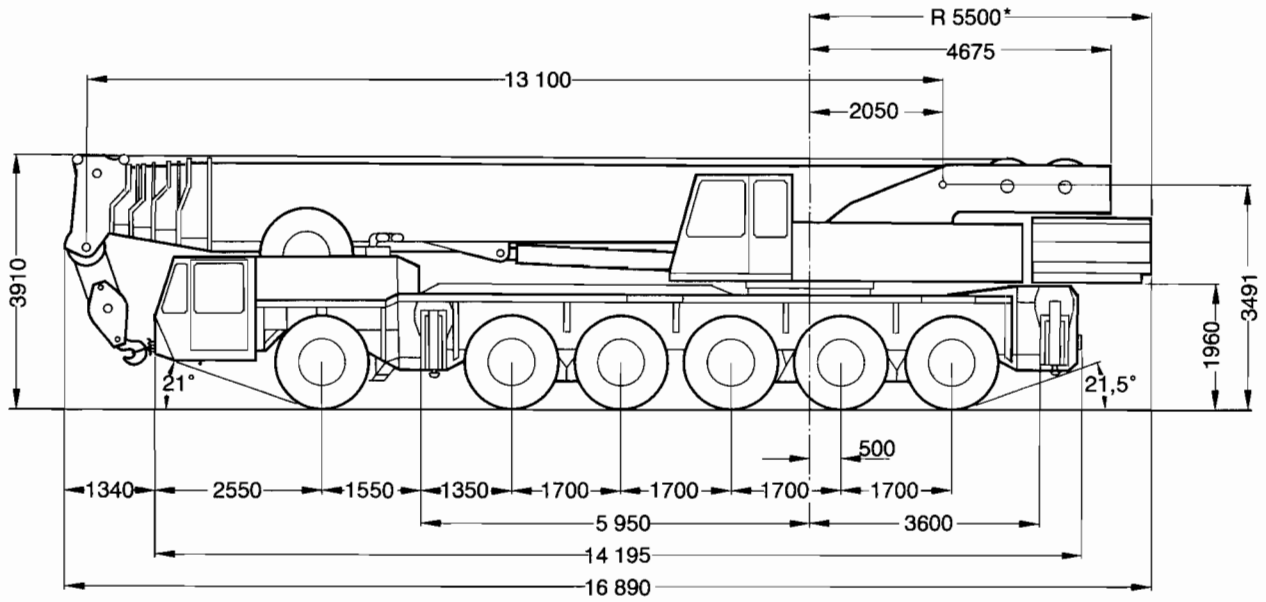
**MANNESMANN
DEMAG**

225MT Telescopic Truck Crane

AC 615



Dimensions

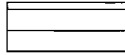



* Width with more than 40 t of counterweight: 5.0 m, tail swing: 5.57 m

** Duties for 5.54 m outrigger base on request

Lifting capacities main boom with Superlift

60 t



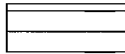
360° 


75 %

Main boom						
Radius	31.6 m	36.2 m	40.8 m	45.4 m	50.0 m	Radius
m	t	t	t	t	t	m
6	80.0	—	—	—	—	6
7	80.0	60.0	—	—	—	7
8	77.0	59.0	48.0	—	—	8
9	71.7	58.0	47.0	38.0	—	9
10	64.0	56.5	46.0	38.0	27.0	10
12	52.2	51.3	43.5	37.0	26.0	12
14	43.3	42.4	40.0	34.5	25.5	14
16	36.5	35.7	35.0	32.0	24.6	16
18	31.3	30.5	31.0	29.5	23.5	18
20	27.2	26.3	27.3	27.0	22.5	20
22	23.9	23.0	23.9	24.6	21.5	22
24	20.8	19.8	20.8	21.6	20.3	24
26	18.2	17.2	18.1	18.9	18.6	26
28	16.1	15.0	16.0	16.7	16.5	28
30	—	13.0	14.1	14.8	14.6	30
32	—	11.4	12.4	13.2	13.0	32
34	—	—	10.9	11.8	11.5	34
36	—	—	9.7	10.5	10.2	36
38	—	—	—	9.3	9.1	38
40	—	—	—	8.4	8.1	40
42	—	—	—	—	7.2	42
44	—	—	—	—	6.4	44

Lifting capacities main boom

60 t



360° 

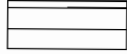
75 %


Main boom									
Radius	13.1 m	22.3 m	27.0 m	31.6 m	36.2 m	40.8 m	45.4 m	50.0 m	Radius
m	t	t	t	t	t	t	t	t	m
2.8	200.0**	—	—	—	—	—	—	—	2.8
3	170.0*	—	—	—	—	—	—	—	3
3.5	151.0*	—	—	—	—	—	—	—	3.5
4	138.0	120.0	—	—	—	—	—	—	4
4.5	126.0	120.0	—	—	—	—	—	—	4.5
5	116.0	112.0	105.0	—	—	—	—	—	5
6	102.0	100.0	100.0	80.0	—	—	—	—	6
7	90.0	88.0	87.0	77.5	60.0	—	—	—	7
8	78.0	78.0	78.0	75.0	59.0	48.0	—	—	8
9	70.0	70.0	70.0	69.0	55.0	47.0	38.0	—	9
10	61.0	62.0	62.0	63.0	50.5	45.0	37.0	28.5	10
12	—	51.6	51.4	52.6	42.5	39.5	34.5	27.7	12
14	—	42.6	42.4	43.6	37.0	34.5	31.5	27.0	14
16	—	36.0	35.8	36.9	32.0	30.5	28.5	24.5	16
18	—	30.9	30.6	31.7	28.5	27.0	26.0	23.0	18
20	—	—	26.6	27.6	26.0	24.0	23.5	20.5	20
22	—	—	22.9	24.0	23.0	22.0	21.5	19.0	22
24	—	—	—	20.9	19.8	20.5	19.5	17.0	24
26	—	—	—	18.4	17.2	18.0	18.0	15.5	26
28	—	—	—	16.0	15.1	16.0	16.5	14.5	28
30	—	—	—	—	13.2	14.2	15.0	13.5	30
32	—	—	—	—	11.6	12.5	13.3	12.5	32
34	—	—	—	—	—	11.1	11.9	11.5	34
36	—	—	—	—	—	9.9	10.6	10.0	36
38	—	—	—	—	—	—	9.5	9.2	38
40	—	—	—	—	—	—	8.5	8.2	40
42	—	—	—	—	—	—	—	7.3	42
44	—	—	—	—	—	—	—	6.5	44

**with add. attachment, 0° over rear

Lifting capacities main boom

40 t



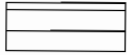
360° 

75 %

Main boom

Radius	13.1 m	22.3 m	27.0 m	31.6 m	36.2 m	40.8 m	45.4 m	50.0 m	Radius
m	t	t	t	t	t	t	t	t	m
2.8	180.0*	—	—	—	—	—	—	—	2.8
3	170.0*	—	—	—	—	—	—	—	3
3.5	151.0*	—	—	—	—	—	—	—	3.5
4	138.0	120.0	—	—	—	—	—	—	4
4.5	126.0	120.0	—	—	—	—	—	—	4.5
5	116.0	112.0	105.0	—	—	—	—	—	5
6	99.2	98.6	98.5	80.0	—	—	—	—	6
7	84.7	84.1	84.0	75.0	60.0	—	—	—	7
8	73.7	73.0	72.9	70.5	57.0	48.0	—	—	8
9	64.5	63.9	63.7	65.0	53.0	46.0	38.0	—	9
10	56.9	56.2	56.1	57.3	49.0	44.0	36.0	28.5	10
12	—	44.9	44.8	45.9	41.0	38.5	33.5	27.7	12
14	—	35.8	35.6	37.1	35.5	33.5	30.5	27.0	14
16	—	28.6	28.4	29.7	28.6	29.7	27.5	24.5	16
18	—	23.4	23.2	24.5	23.4	24.4	25.0	22.0	18
20	—	—	19.3	20.5	19.4	20.4	21.2	19.5	20
22	—	—	16.3	17.4	16.3	17.3	18.1	17.8	22
24	—	—	—	15.0	13.8	14.8	15.5	15.3	24
26	—	—	—	12.9	11.7	12.7	13.5	13.2	26
28	—	—	—	11.2	9.9	10.9	11.7	11.4	28
30	—	—	—	—	8.4	9.3	10.1	9.8	30
32	—	—	—	—	7.1	8.0	8.8	8.5	32
34	—	—	—	—	—	6.9	7.6	7.3	34
36	—	—	—	—	—	5.9	6.6	6.3	36
38	—	—	—	—	—	—	5.8	5.4	38
40	—	—	—	—	—	—	5.0	4.7	40
42	—	—	—	—	—	—	—	4.0	42
44	—	—	—	—	—	—	—	3.4	44

30 t



360° 

75 %

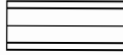
Main boom


Radius	13.1 m	22.3 m	27.0 m	31.6 m	36.2 m	40.8 m	45.4 m	50.0 m	Radius
m	t	t	t	t	t	t	t	t	m
3	165.0*	—	—	—	—	—	—	—	3
3.5	146.0*	—	—	—	—	—	—	—	3.5
4	130.0	115.0	—	—	—	—	—	—	4
4.5	120.0	110.0	—	—	—	—	—	—	4.5
5	108.0	104.0	100.0	—	—	—	—	—	5
6	92.2	91.7	91.5	77.0	—	—	—	—	6
7	78.5	77.9	77.7	73.0	58.0	—	—	—	7
8	67.0	66.4	66.2	67.6	54.0	46.0	—	—	8
9	58.2	57.6	57.4	58.7	50.0	44.5	36.0	—	9
10	51.1	50.3	50.2	51.7	44.0	42.0	34.0	28.0	10
12	—	36.2	36.1	37.6	36.4	37.6	32.0	27.0	12
14	—	27.5	27.4	28.8	27.6	28.7	29.0	26.0	14
16	—	21.7	21.5	22.8	21.7	22.8	23.6	23.3	16
18	—	17.5	17.3	18.5	17.4	18.4	19.3	19.0	18
20	—	—	14.0	15.3	14.1	15.2	16.0	15.7	20
22	—	—	11.4	12.7	11.5	12.5	13.4	13.1	22
24	—	—	—	10.6	9.3	10.4	11.2	10.9	24
26	—	—	—	8.8	7.5	8.5	9.4	9.1	26
28	—	—	—	7.3	6.0	7.0	7.8	7.5	28
30	—	—	—	—	4.8	5.7	6.5	6.2	30
32	—	—	—	—	3.7	4.7	5.4	5.1	32
34	—	—	—	—	—	3.7	4.5	4.2	34
36	—	—	—	—	—	2.9	3.7	3.3	36
38	—	—	—	—	—	—	3.0	2.6	38
40	—	—	—	—	—	—	2.3	2.0	40
42	—	—	—	—	—	—	—	1.4	42
44	—	—	—	—	—	—	—	1.0	44

* with heavy-lift attachment

Lifting capacities main boom

12 t



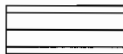
360° 

75 %

Main boom

Radius	13.1 m	22.3 m	27.0 m	31.6 m	36.2 m	40.8 m	45.4 m	50.0 m	Radius
m	t	t	t	t	t	t	t	t	m
3	157.0*	—	—	—	—	—	—	—	3
3.5	136.0	—	—	—	—	—	—	—	3.5
4	120.0	110.0	—	—	—	—	—	—	4
4.5	107.0	106.0	—	—	—	—	—	—	4.5
5	96.5	96.0	95.0	—	—	—	—	—	5
6	79.4	78.8	78.7	74.0	—	—	—	—	6
7	66.1	65.6	65.4	66.7	54.0	—	—	—	7
8	53.0	52.4	52.3	54.2	52.7	45.0	—	—	8
9	4.8	41.2	41.1	42.8	41.4	43.0	34.0	—	9
10	34.1	33.5	33.4	34.9	33.7	34.9	32.0	25.0	10
12	—	23.4	23.3	24.8	23.6	24.8	25.7	23.0	12
14	—	17.0	16.9	18.2	17.1	18.2	19.0	18.7	14
16	—	12.8	12.6	13.9	12.8	13.8	14.6	14.3	16
18	—	9.8	9.6	10.8	9.8	10.7	11.5	11.2	18
20	—	—	7.4	8.5	7.5	8.4	9.2	8.9	20
22	—	—	5.7	6.8	5.8	6.7	7.4	7.1	22
24	—	—	—	5.4	4.3	5.2	5.9	5.7	24
26	—	—	—	4.3	3.0	4.0	4.8	4.5	26
28	—	—	—	3.2	1.9	2.9	3.7	3.4	28
30	—	—	—	—	1.0	1.9	2.7	2.4	30
32	—	—	—	—	—	1.1	1.9	1.6	32
34	—	—	—	—	—	—	1.2	0.9	34

0 t



360° 

75 %

Main boom

Radius	13.1 m	22.3 m	27.0 m	31.6 m	36.2 m	40.8 m	45.4 m	50.0 m	Radius
m	t	t	t	t	t	t	t	t	m
3	147.0*	—	—	—	—	—	—	—	3
3.5	127.0	—	—	—	—	—	—	—	3.5
4	112.0	105.0	—	—	—	—	—	—	4
4.5	100.0	100.0	—	—	—	—	—	—	4.5
5	91.0	90.4	90.0	—	—	—	—	—	5
6	72.0	71.4	71.3	70.0	—	—	—	—	6
7	51.9	51.2	51.1	53.3	50.0	—	—	—	7
8	38.3	37.3	37.6	39.5	38.0	39.5	—	—	8
9	29.3	28.6	28.5	30.4	28.9	30.4	32.0	—	9
10	22.9	22.3	22.1	23.8	22.5	23.8	24.9	24.0	10
12	—	14.4	14.3	15.8	14.6	15.8	16.7	16.4	12
14	—	9.8	9.7	11.0	9.9	11.0	11.8	11.6	14
16	—	6.8	6.7	7.9	6.8	7.9	8.7	8.4	16
18	—	4.7	4.5	5.7	4.7	5.6	6.4	6.1	18
20	—	—	2.6	4.0	2.7	3.9	4.7	4.5	20
22	—	—	1.2	2.5	1.2	2.4	3.3	3.0	22
24	—	—	—	1.3	—	1.1	2.0	1.7	24
26	—	—	—	—	—	—	1.0	—	26

* with heavy-lift attachment

Lifting capacities main boom extension with Superlift

Main boom: 50 m

60 t  360°  75 %

Radius	Extension (0°)	
	12.0 m	20.0 m
	m	t
10	15.0	—
12	14.8	10.6
14	14.3	10.6
16	13.8	10.6
18	13.4	10.3
20	13.0	10.0
22	12.6	9.7
24	12.2	9.4
26	11.9	9.1
28	11.5	8.8
30	11.1	8.5
32	10.7	8.2
34	10.2	8.0
36	9.8	7.8
38	9.4	7.5
40	8.5	7.3
42	7.5	7.1
44	6.7	6.8
46	5.9	6.5
48	5.2	6.2
50	4.6	5.6
52	4.0	5.0
54	3.5	4.5
56	—	4.0
58	—	3.6
60	—	3.1
62	—	2.8

40 t  360°  75 %

Radius	Extension (0°)	
	12.0 m	20.0 m
	m	t
10	15.0	—
12	14.8	10.0
14	14.3	9.9
16	13.8	9.8
18	13.4	9.7
20	13.0	9.6
22	12.6	9.4
24	12.2	9.2
26	11.9	9.0
28	11.5	8.7
30	10.4	8.4
32	9.0	8.0
34	7.8	7.5
36	6.7	7.0
38	5.8	6.5
40	4.9	6.0
42	4.2	5.2
44	3.5	4.5
46	2.9	3.9
48	2.3	3.4
50	1.8	2.8
52	1.4	2.4
54	1.0	1.9
56	—	1.6
58	—	1.2
60	—	0.9
62	—	—

Lifting capacities main boom extension

Main boom: 45.4 m

40 t  360°  75 %

Radius	Extension (0°)	
	12.0 m	20.0 m
	m	t
10	18.5	12.5
12	17.3	11.5
14	16.2	10.7
16	15.1	10.0
18	14.2	9.4
20	13.3	8.8
22	12.5	8.3
24	11.8	7.9
26	11.2	7.5
28	10.8	7.2
30	10.3	6.8
32	9.3	6.5
34	8.1	6.3
36	7.0	6.0
38	6.1	5.7
40	5.2	5.5
42	4.5	5.2
44	3.8	4.8
46	3.2	4.2
48	2.7	3.7
50	2.2	3.2
52	1.5	2.7
54	1.1	2.3
56	—	1.6
58	—	1.3

30 t  360°  75 %

Radius	Extension (0°)	
	12.0 m	20.0 m
	m	t
10	18.5	12.5
12	17.3	11.5
14	16.2	10.7
16	15.1	10.0
18	14.2	9.4
20	13.3	8.8
22	12.5	8.3
24	10.8	7.9
26	9.2	7.5
28	7.8	7.2
30	6.6	6.8
32	5.7	6.5
34	4.8	5.7
36	4.0	4.9
38	3.2	4.2
40	2.5	3.5
42	1.9	2.9
44	1.4	2.4
46	—	1.9
48	—	1.4
50	—	—
52	—	—
54	—	—
56	—	—
58	—	—

12 t  360°  75 %

Radius	Extension (0°)	
	12.0 m	20.0 m
	m	t
10	—	—
12	17.3	11.5
14	16.2	10.7
16	15.1	10.0
18	12.5	9.4
20	10.0	8.8
22	8.1	8.3
24	6.6	7.2
26	5.3	6.1
28	4.2	5.0
30	3.2	4.2
32	2.3	3.3
34	1.5	2.5
36	—	1.8
38	—	1.2
40	—	—
42	—	—
44	—	—
46	—	—
48	—	—
50	—	—
52	—	—
54	—	—
56	—	—
58	—	—

Lifting capacities main boom extension

Main boom: 50 m

40 t  360°  75 %

Radius	Extension			
	12.0 m		20.0 m	
	0°	20°	0°	20°
m	t	t	t	t
10	15.0	—	—	—
12	15.0	—	10.0	—
14	14.7	—	10.0	—
16	14.1	11.6	9.4	—
18	13.4	11.0	8.9	—
20	12.7	10.6	8.4	7.0
22	12.1	10.1	8.0	6.7
24	11.4	9.7	7.5	6.5
26	10.8	9.4	7.1	6.3
28	10.1	9.0	6.7	6.0
30	9.5	8.7	6.4	5.8
32	8.9	8.5	6.0	5.6
34	7.7	8.2	5.7	5.4
36	6.7	7.4	5.4	5.2
38	5.8	6.4	5.1	5.0
40	4.9	5.5	4.8	4.8
42	4.2	4.7	4.5	4.6
44	3.5	4.0	4.2	4.5
46	3.0	3.4	3.9	4.3
48	2.4	2.8	3.4	4.1
50	1.9	2.2	2.9	3.5
52	1.5	1.7	2.4	3.0
54	1.1	—	2.0	2.5
56	—	—	1.6	2.1
58	—	—	1.3	1.7
60	—	—	—	1.3
62	—	—	—	0.9

30 t  360°  75 %

Radius	Extension			
	12.0 m		20.0 m	
	0°	20°	0°	20°
m	t	t	t	t
10	15.0	—	—	—
12	15.0	—	10.0	—
14	14.7	—	10.0	—
16	14.1	11.6	9.4	—
18	13.4	11.0	8.9	—
20	12.7	10.6	8.4	7.0
22	12.1	10.1	8.0	6.7
24	10.4	9.7	7.5	6.5
26	8.8	9.4	7.1	6.3
28	7.4	8.3	6.7	6.0
30	6.3	7.1	6.4	5.8
32	5.4	6.1	6.0	5.6
34	4.5	5.2	5.3	5.4
36	3.8	4.4	4.6	5.2
38	3.0	3.7	4.0	4.8
40	2.3	2.9	3.3	4.2
42	1.7	2.2	2.7	3.6
44	1.2	1.6	2.2	3.0
46	—	1.1	1.7	2.5
48	—	—	1.2	1.9
50	—	—	—	1.5
52	—	—	—	1.0
54	—	—	—	—
56	—	—	—	—
58	—	—	—	—
60	—	—	—	—
62	—	—	—	—

12 t  360°  75 %

Radius	Tele-Extension-Boom			
	12.0 m		20.0 m	
	0°	20°	0°	20°
m	t	t	t	t
10	—	—	—	—
12	15.0	—	10.0	—
14	14.7	—	10.0	—
16	14.1	11.6	9.4	—
18	12.1	11.0	8.9	—
20	9.6	10.6	8.4	7.0
22	7.8	9.0	8.0	6.7
24	6.3	7.4	7.1	6.5
26	5.0	6.0	5.9	6.3
28	4.0	4.9	4.8	6.0
30	3.0	4.0	4.0	5.2
32	2.1	3.0	3.2	4.4
34	1.3	2.2	2.4	3.6
36	—	1.4	1.7	3.0
38	—	0.8	1.1	2.3
40	—	—	—	1.6
42	—	—	—	1.1
44	—	—	—	—
46	—	—	—	—
48	—	—	—	—
50	—	—	—	—
52	—	—	—	—
54	—	—	—	—
56	—	—	—	—
58	—	—	—	—
60	—	—	—	—
62	—	—	—	—